

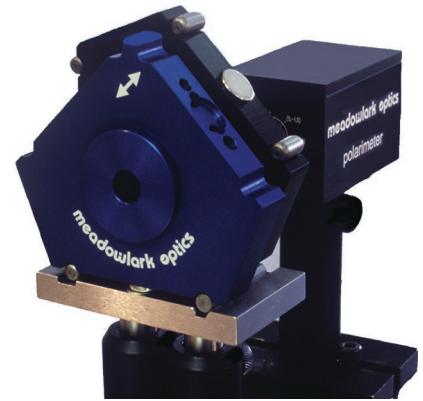
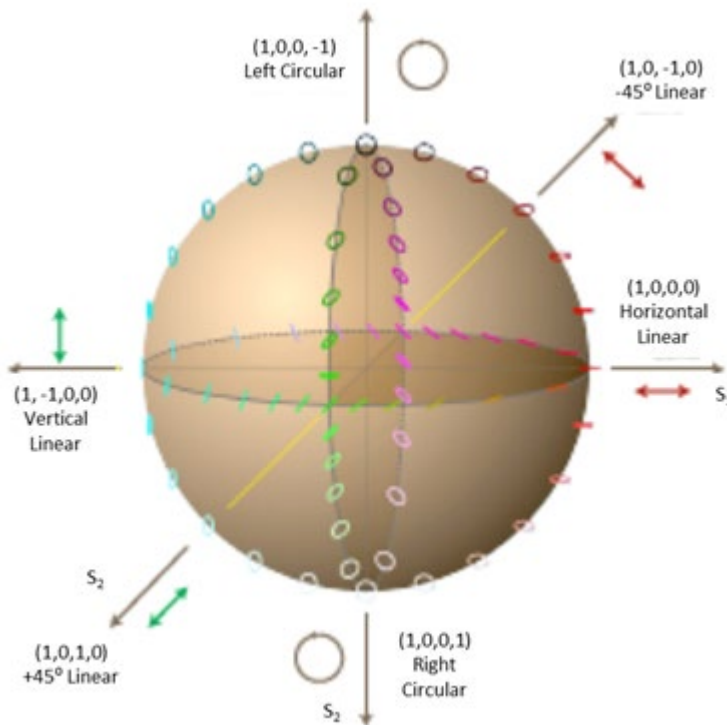
Eigenstate Calibration Set

Meadowlark Optics' Eigenstate Calibration Sets are tools which produces six polarization eigenstates: linear polarized light at angles of 0, 90, +45, -45 degrees as well as circular right-handed and circular left-handed polarized light.

These states are created by using a precision dichroic linear polarizer in a black housing and a precision quarter waveplate in a blue housing. The housings are CNC machined so that the accuracy of the angles is better than 1 arc minute. Pins on the housings mate to a v-groove and a flat groove in a quasi-kinematic fashion, while magnets provide holding force. This scheme facilitates precise, simple and fast indexing of the polarization eigenstates. Large arrows on the housing indicate the transmission axis of the polarizer and the fast axis of the waveplates for ease of use. Available for wavelength ranges from 450-1700 nm.

Eigenstate Retarders are additional retarders that can be purchased at the same time as your Eigenstate Calibration Set and Polarimeter. Wavelengths available from 450-1700 nm, with broadband options also available.

Poincaré Sphere showing six polarization eigenstates

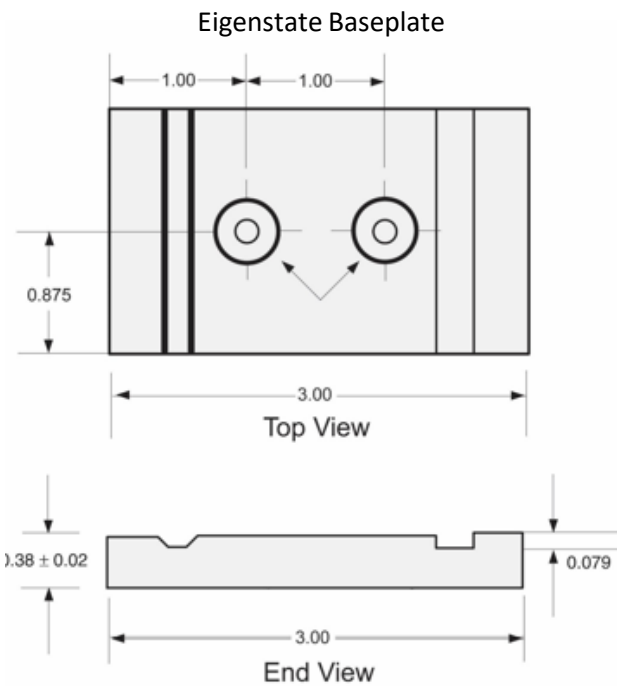
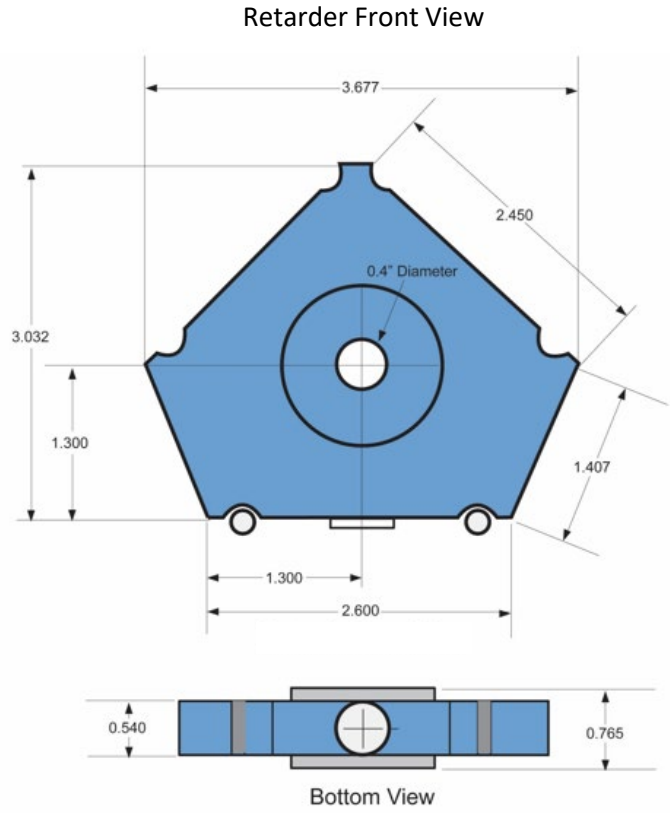
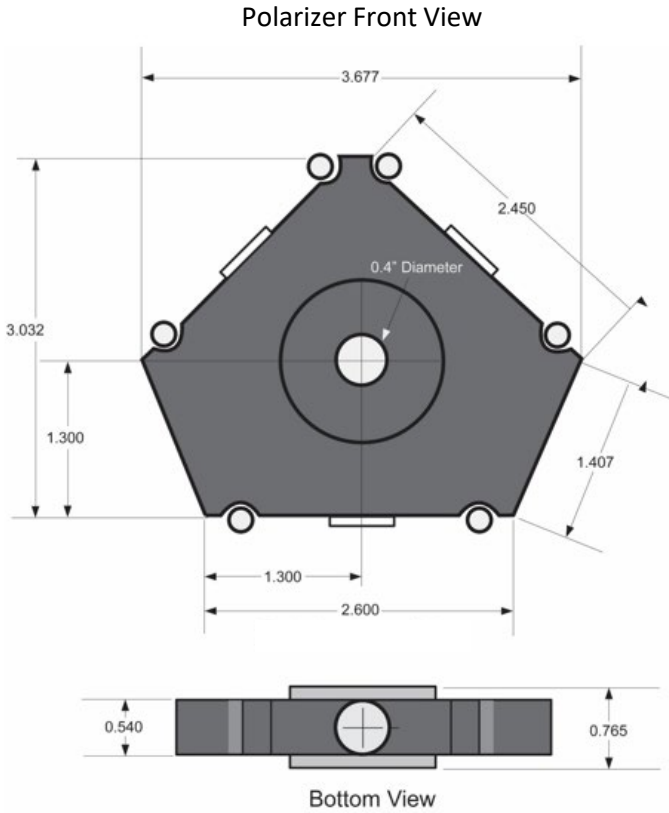


Key Features

- • •
- Ellipsometry
- Polarization control
- Polarization analysis
- Calibration accessory for PMI Series polarimeters

Other Systems

- • •
- Spatial Light Modulators
- Tunable Optical Filters
- Pockels Cell Modulators
- Photomultiplier Systems
- Tri-Color Filter



Calibration Sequence	Stokes Vector	SOP Description	Polarizer Orientation	Waveplate Orientation
Step 1	(1,1,0,0)	Horizontal		Removed
Step 2	(1,-1,0,0)	Vertical		Removed
Step 3	(1,0,1,0)	+45°		Removed
Step 4	(1,0,-1,0)	-45°		Removed
Step 5	(1,0,0,1)	Right Circular		
Step 6	(1,0,0,-1)	Left Circular		

Polarimeter calibration is greatly simplified by the Eigenstate Calibrator sequence outlined above



SPECIFICATIONS FOR MONOCHROMATIC EIGENSTATE CALIBRATION SET

Retardance Accuracy	$\lambda/350$
Thickness	0.79 ± 0.015 in (20.06 ± 0.38 mm)
Clear Aperture	0.32 in (8.13 mm)

SPECIFICATIONS FOR BROADBAND EIGENSTATE CALIBRATION SET

Wavelength Range – VIS	450 – 800 nm
Wavelength Range – NIR	690 – 1200 nm
Wavelength Range – IR	1100 – 1700 nm
Retardance Accuracy	$\lambda/200$
Thickness	1.10 ± 0.02 in (27.94 ± 0.51 mm)
Clear Aperture	0.197 in (5.0 mm)

ORDERING INFORMATION FOR CALIBRATION SETS
(POLARIZER AND RETARDER)

Item	Part Number
Single Wavelength Eigenstate Calibration Set	ECS – λ <i>(Please specify your operating wavelength λ in nm when ordering)</i>
Broadband Eigenstate Calibration Set – VIS	ECS – VIS
Broadband Eigenstate Calibration Set – NIR	ECS – NIR
Broadband Eigenstate Calibration Set – IR	ECS – IR

ORDERING INFORMATION FOR CALIBRATION RETARDERS OR POLARIZERS
(INDIVIDUAL COMPONENTS)

Single Wavelength Eigenstate Retarder	EGR – λ <i>(Please specify your operating wavelength λ in nm when ordering)</i>
Broadband Eigenstate Polarizer (450 – 1700 nm)	EGP – GTP
Achromatic Eigenstate Retarder – VIS (450 – 800 nm)	EGR – VIS
Achromatic Eigenstate Retarder – NIR (690 – 1200 nm)	EGR – NIR
Achromatic Eigenstate Retarder – IR (1100 – 1700 nm)	EGR – IR

Customs options available. Please contact one of our Solutions Engineers for more information.