

Rotary Mounts

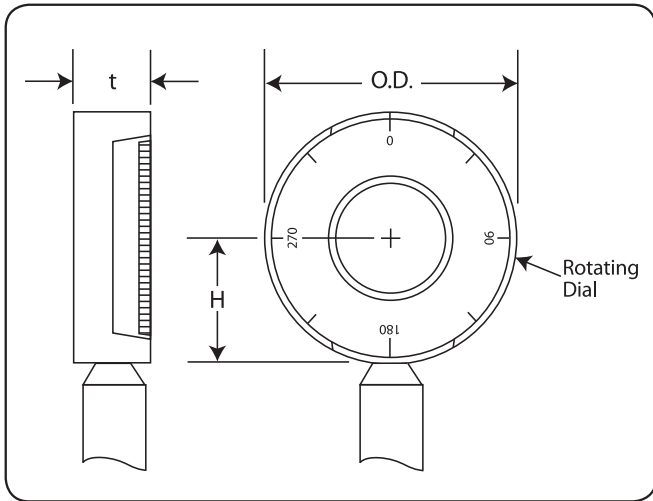


Fig. 3-1 Rotary Mount dimensions

Key Benefits

- Holds standard size optics
- Ease of use
- Available now

Meadowlark Optics Rotary Mounts provide fine angular adjustment often required in polarization control applications. A threaded retaining ring holds mounted optical components in place.

Full 360° rotation is possible using the knurled edge. Angular position is indicated on the graduated scale, with 2° increments. Two precision bearings provide smooth rotation with zero back-lash. A threaded locking screw secures your component in position.

Two versions are available, for either one or two inch diameter parts. A two inch mounting post is included.

Mounting Post and Base Set

Meadowlark Optics standard liquid crystal devices are mounted in a black anodized aluminum housing, tapped with an 8-32 hole. Our Mounting Post and Base Set is designed to mate the liquid crystal housing with standard optical table and breadboard hole patterns. A knurled, threaded thumbscrew locks your optical component at the desired height. Simple and convenient angular adjustment is also provided.

SPECIFICATIONS	
Mounting Post Dimensions	
Diameter	0.500 ±0.004 in.
Length	5.500 ±0.010 in.
Base Dimensions	
Height	3.00 in.
Hole Pattern	0.25 in. through holes on 2.00 in. bolt circle diameter

ORDERING INFORMATION - MOUNTING POST AND BASE	
<i>Item</i>	<i>Part Number</i>
Mounting Post and Base Set	MPB-1

ORDERING INFORMATION - ROTARY MOUNTS				
<i>Inside Diameter</i>	<i>Outside Diameter</i>	<i>Thickness (in.)</i>	<i>Height (in.)</i>	<i>Part Number</i>
1.00	2.22	0.61	1.09	RM701
2.00	3.30	0.63	1.63	RM702