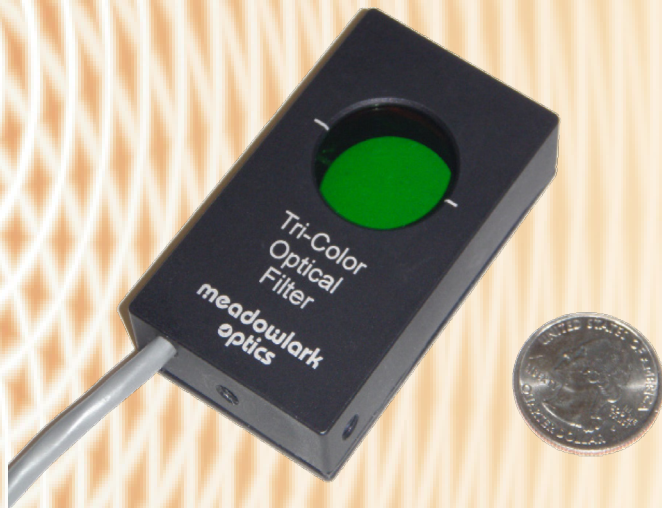


Tri-Color Liquid Crystal Optical Filter

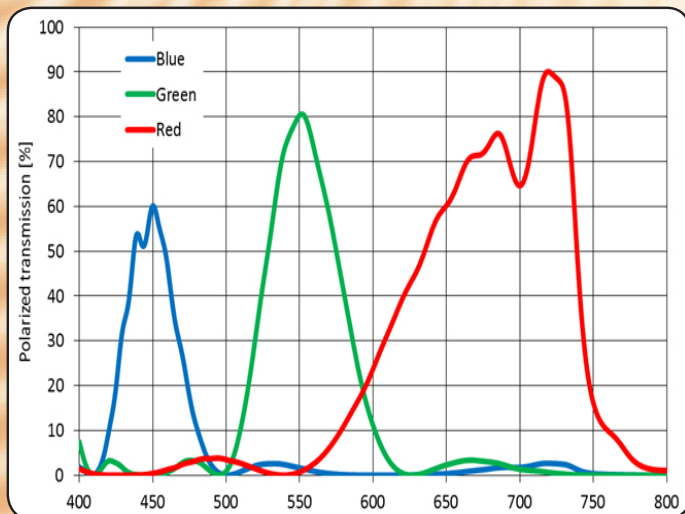


Meadowlark Optics is pleased to present our most compact liquid crystal based tunable optical filter yet. The Tri-color filter features several mechanical interfaces:

- 8 - 32 threaded holes
- Optional cage system interface
- Optional C-mount interface

All Meadowlark Optics tunable optical filters come complete: optical head, controller and software. Our software can be installed and run on any Windows based PC to control the filter through either the USB or serial ports while using the provided software or commands in C++, MatLab™ or LabVIEW™.

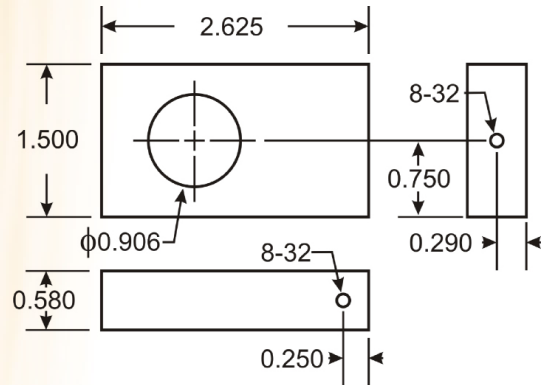
Meadowlark Optics provides customized Tunable Optical Filters for a variety of applications. The Tri-color filter can be customized to achieve different center wavelengths, wavelength ranges or other specifications. Please contact your Meadowlark Optics Sales Team for assistance or a custom quote.



Transmission versus Wavelength

Key Features

- Extremely high transmission
- C-mount option
- Non-mechanical - No vibration



SPECIFICATIONS

Wavelength Range	420 - 780 nm
Clear Aperture Diameter	22 mm
Polarized Transmission	60 - 90%
Acceptance Angle	±6°
Temperature Range	10°C - 45°C
Switching Speed	Full video (<30 msec)
Optical Head Dimensions	1.50 x 2.63 x 0.58 in. [38 x 67 x 15 mm]
Optics Head Weight	2.5 oz. [71 g]

Custom versions are available including pseudo white state, different center wavelengths and mechanical packaging.

ORDERING INFORMATION

Stock Part Number	TCF - 0450/0550/0680
Custom Part Number	TCF - $\lambda_1/\lambda_2/\lambda_3$

Please note that the optical head, controller and software are included.

Follow us:



meadowlark optics
polarization solutions

