

NEW

Beamsplitter Cube Mounts

Polarizers

Retarders

Mounting Hardware

Liquid Crystal Devices

Liquid Crystal Controllers



Fig. 3-2 10 mm mount 3-axis stage (tip, tilt and rotation)



Fig. 3-3 32 mm mount 3-axis stage (tip, tilt and rotation)

Key Benefits

- Holds standard size optics
- Ease of use

Meadowlark provides beamsplitter mounts which allows precision positioning of beamsplitting polarizers up to 32 mm in size.

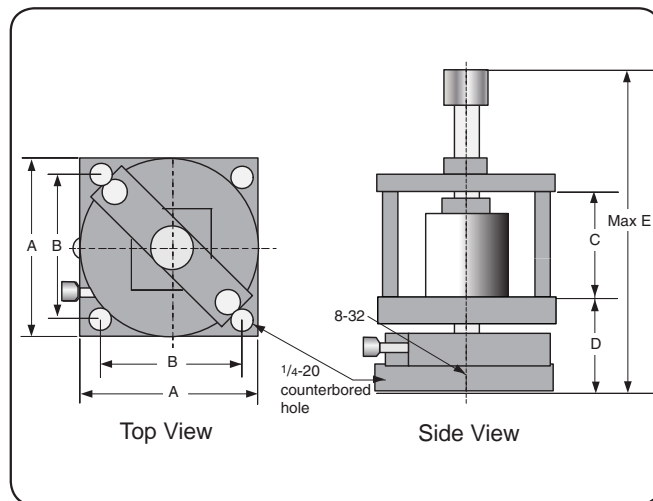


Fig. 3-4 BCM-M40 prism axis

SPECIFICATIONS						
Dimensions (mm)					Max Prism Size	Part Number
A	B	C	D	E		
65.0	50.8	40.0	35.0	122.0	32 mm	BCM-M32
25.0	20.0	10.0	16.0	36.0	10 mm	BCM-M10

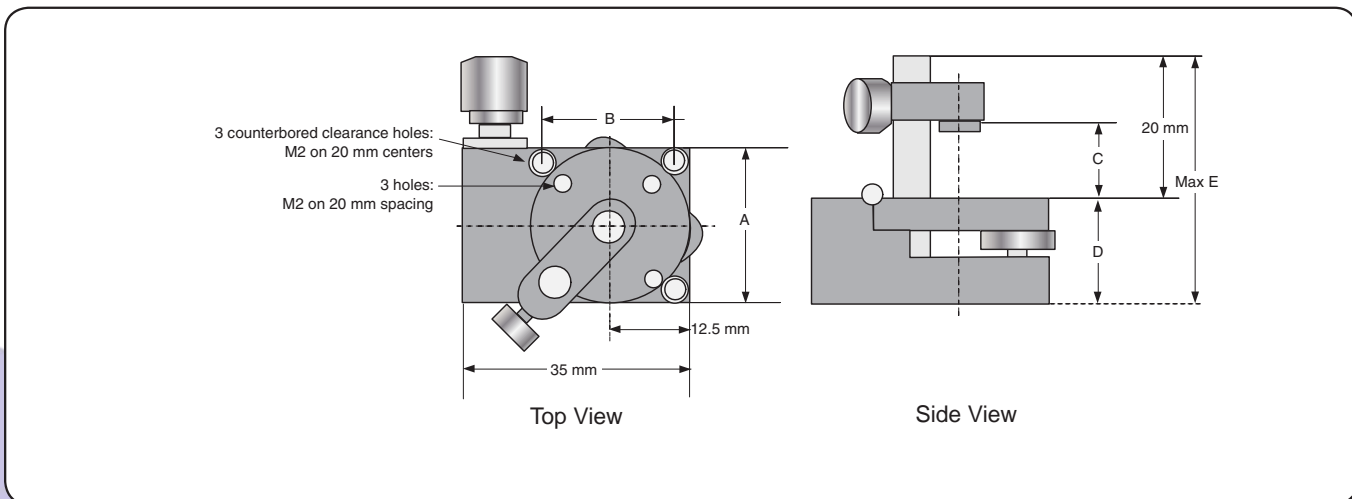


Fig. 3-5 BCM-M25 prism axis